



- ▶ High Sensitivity
- ▶ Locating Point Sensor
- ▶ Fast Response with Light and Middle Distillates
- ▶ Re-usable
- ▶ Suitable for Explosive Area Service
- ▶ Insensitive to Water, UV resistant

Description

The FG-ODPC is a High Sensitivity Point Sensor for liquid hydrocarbon and non-conductive solvent leak detection. It is suitable to detect hydrocarbon floating on water, for example on tank application. Fast response and re-usable after leak detection, the FG-ODPC Point Sensor can be installed in humid environment, as it is insensitive to water.

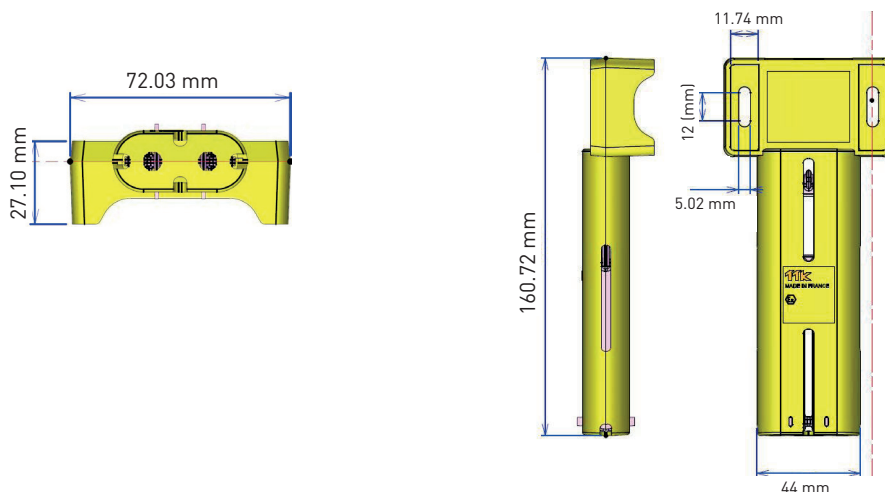
The sensor element is optimized for very fast response with light to middle distillates, and is sensitive to heavy oils such as conventional crude oils, dilbit / synbit, as well as to hydrocarbon vapors.

Key Advantages

- High sensitivity: Typical detection times (immersion > 30 mm) : gasoline at 1-2 minutes (*), jet fuel at 4-10 minutes (*), diesel at 7-12 minutes (*), WTI: 20-35 minutes (*), Dilbit: 30-45 minutes (*).
- FG-ODPC is IP 68 protection marked (for the electronic components and related connections).
- Can be cleaned.
- Intrinsically safe - can be used in classified areas: Ex ia IIB T4 Ga (IECEx "Zone 0").
- Reliable detection:
 - Sensitive to liquid hydrocarbons.
 - Insensitive to water, inorganic pollutants and external loads (pressure). UV resistant.
 - Can be reused, allows reducing OPEX (operational expenditures) and testing leak detection under real conditions.
 - Easy to install and remove.

Note (*): depending on liquid composition and leak conditions

Product Dimension



Technical Data


Compatibility	Digital units: FG-NET*, FG-NET-LL, FG-ALS8-OD, FG-ALS4-OD, FG-A-OD Satellite devices: FG-BBOX*, FG-BBOX-LL Sense cables: Compatible with water and acids sense cables on the same panel output via an interface box. FG-DOP connection box required for connecting FG-ODP on a OD BUS 8771 [*FG-DOD interface box required for connecting OD range cables/probes to non-OD range panels]
Reusability	Reusable, as long as the product hasn't been damaged by prolonged immersion in liquid
Enclosure Type	Antistatic Polymer
Weight	0.4 kg
Color	Yellow
Operating Temperature	-30° to 100°C
Connector Ingress Protection (IP Rating - DIN/EN/IEC60529)	IP 68
Explosive Area Classification	Ex ia IIB T4 Ga (ATEX "Zone 0")

Identification Codes

FG-ODPC	High Sensitivity Addressable Oil Point Sensor
Accessories:	
FG-FLOAT2	Float assembly for FG-ODPC installation
FG-DOD	OD Bus Interface
FG-DOP	Point Sensor Diversion Connection box for integration of FG-ODPC on a OD BUS 8771

Certifications



TTK - Type: FG-ODP
CE 0081  II 1 G
Ex ia IIB T4 Ga
LCIE 13 ATEX 3082 X
LECEX LCIE 13.0072X

This brochure has been carefully prepared to ensure technical accuracy but is only intended for promotional use. TTK cannot guarantee that the information contained herein contains no errors or omissions, and hence does not accept responsibility related to the use of its equipment. TTK maintain its obligations set forth in the Standard Terms and Conditions of Sale and will not, under any circumstances, assume liability for any incidental damages, indirect or consequential, arising from the sale, resale, use or misuse of this product. The purchaser(s) accept their responsibility as the sole judge(s) of the adaptability of the product for the intended use.

FG-NET, FG-SYS and TOPSurveillance are trademarks of TTK S.A.S. © TTK 2025

- **TTK UK Ltd.** / 3 Luke Street / London EC2A 4PX / United Kingdom / T : 0207 729 6002 / F : 0207 729 6003 / www.ttkuk.com / sales@ttkuk.com
- **TTK Pte Ltd.** / #09-05, Shenton House, 3 Shenton Way / Singapore 068805 / Tel.+65-6220.2068 / Mob: +65.9271.6191 / Fax: +65-6220.2026 / www.ttk.sg / sales@ttk.sg
- **TTK Asia Ltd.** / 2107-2108 Kai Tak Commercial Building / 317 Des Voeux Road Central / Hongkong / Tel.+852.2858.7128 / Fax.+852.2858.8428 / www.ttkasia.com / info@ttkasia.com
- **TTK Middle East FZCO** / Building 6EA, Office 510 PO Box 54925 / Dubai Airport Free Zone / UAE T: +971 4 70 17 553 / M: +971 50 259 66 29 / www.ttkuk.com / cgalliche@ttk.fr
- **TTK Headquarters** / 19 rue du Général Foy / 75008 Paris / France / T : +33.1.56.76.90.10 / F : +33.1.55.90.62.15 / www.ttk.fr / ventes@ttk.fr